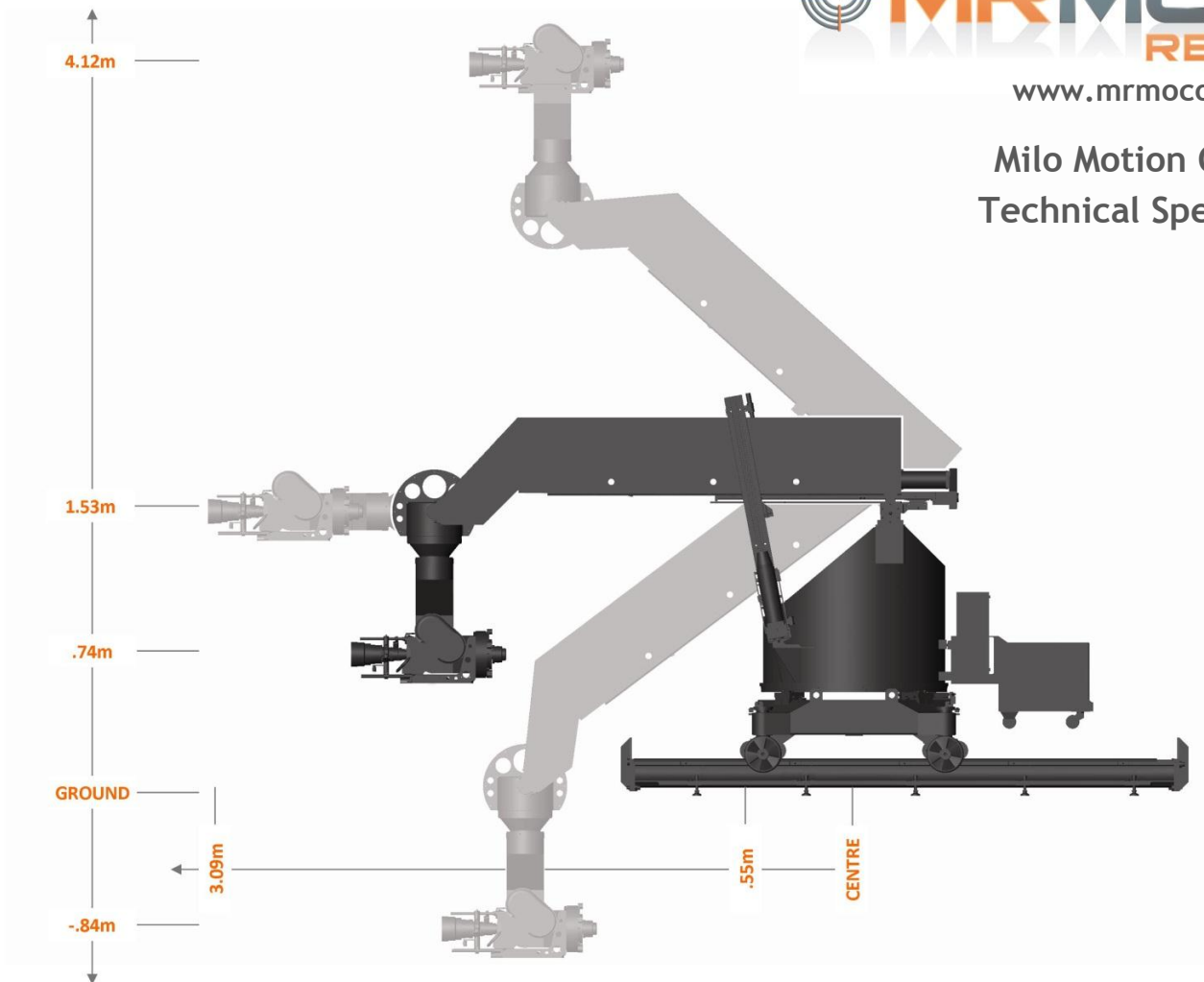


Milo Motion Control Rig Technical Specifications



Operating Envelope

Maximum Height	4.12m
Lowest position	-.84m
Maximum travel (from sub floor)	4.96m
Maximum reach (from rotate centre)	3.09
Maximum reach (from turret)	2.54m

Rig Dimensions (for clearances)

Milo Minimum Height (off track)	2.09m
Milo Minimum Height (on track)	2.21m
Milo width	1.27m
Milo Length (head off while travelling)	2.92m
Milo Length (head on)	3.15m

Rig Performance

Axis	Range of Travel	Maximum Speeds
Track	As required in 3m lengths	2 metres per second
Rotate	Unlimited	30 degrees per second
Lift	+/- 45 degrees	24 degrees per second
Arm Extend	1 metre	38cm per second
Outer Arm	225 degrees	40 degrees per second
Pan	Unlimited	120 degrees per second
Tilt	290 degrees	120 degrees per second
Roll	Unlimited	120 degrees per second

Rig Weights

	Kg	Lbs
Base	166	365
Turret	160	352
Standard Arm	130	286
Head with outer arm	63	139
Extend Ballscrew	28	62
Lift Ballscrews	39	86
Power Supply + Driver Unit	124	273
Total weight of Milo	710	1565
Each 3m track	105	231
Flair Operator Console	32	70

Power Connection

Power requirements: 110-240 Volts, Frequency 50-60 Hz

Generator: 6.5 KVA

Please note: Mr Moco Rentals reserves the right to change these specifications without notice.
Spec dimensions dependent on type and size of camera used on the rig.