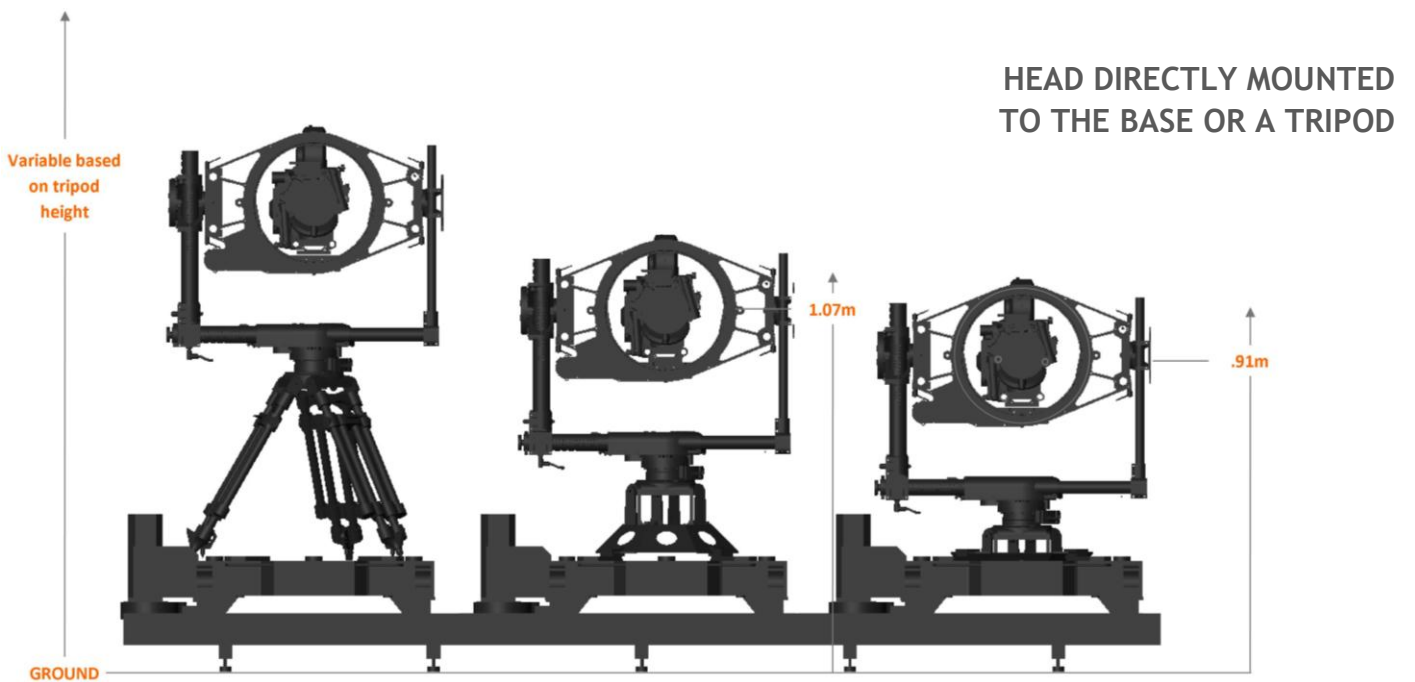
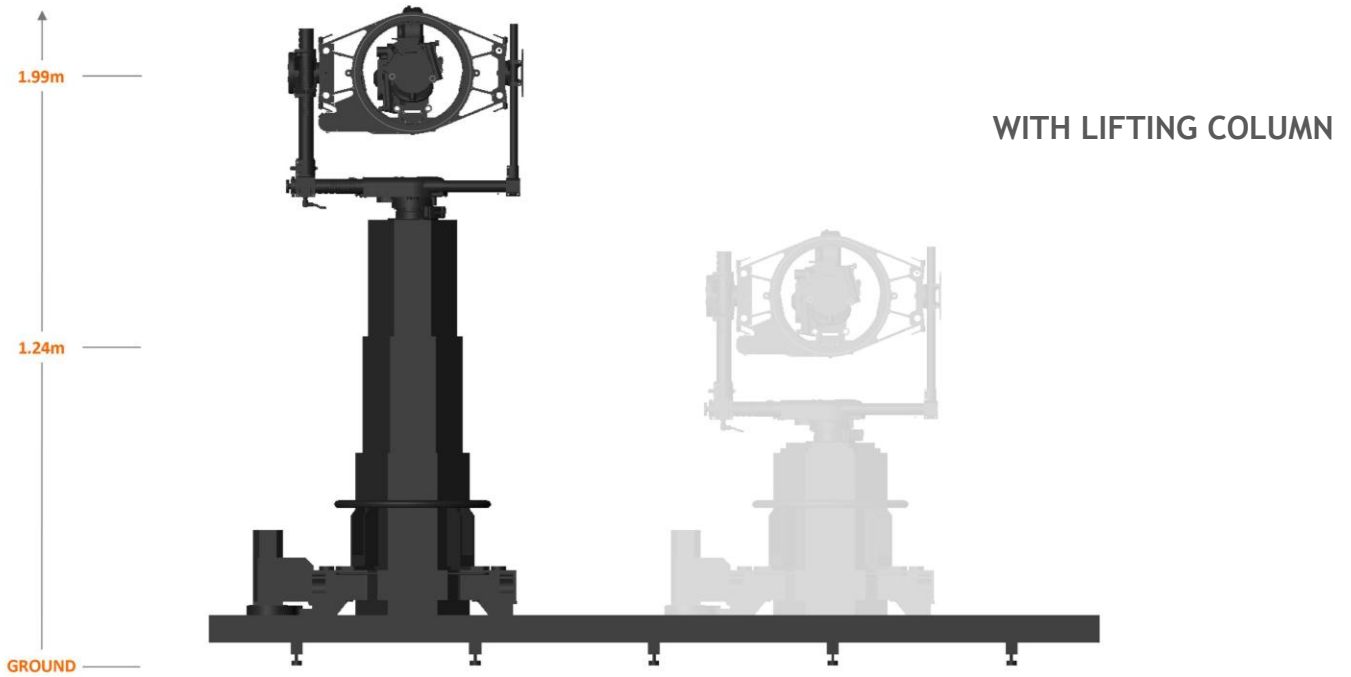


## Modula Motion Control Rig Technical Specifications



### Operating Envelope with lift column

Maximum Height	1.99m
Lowest position	1.24m
Maximum travel	.75m

### Operating Envelope with head directly mounted to the base

Maximum Fixed Height	Variable based on tripod height
Lowest Fixed position	.91m

### Rig Dimensions (for clearances)

Modula length	.94cm
Modula width	.70cm
Modula width (on track)	.72cm
Modula height	Variable based on configuration

### Rig Performance

Axis	Range of Travel	Maximum Speeds
Track	As required in 3m lengths	3.5 metres per second custom options up to 5m/sec
Lift	1.24m - 1.99m	70 degrees per second
Pan	Unlimited	120 degrees per second
Tilt	Unlimited	120 degrees per second
Roll	Unlimited	90 degrees per second

### Rig Weights

	Kg	Lbs
Base	40	88
Lift Column	57	126
Ulti-Head	25	55
Ulti-Head Roll	7	15
<b>Total weight of Modula</b>	<b>129</b>	<b>284</b>
Each 3m track	55	121
Flair Operator Console	32	70

### Power Connection

Power requirements: 110-240 Volts, Frequency 50-60 Hz

Generator: 6.5 KVA

Please note: Mr Moco Rentals reserves the right to change these specifications without notice.  
Spec dimensions dependent on type and size of camera used on the rig.